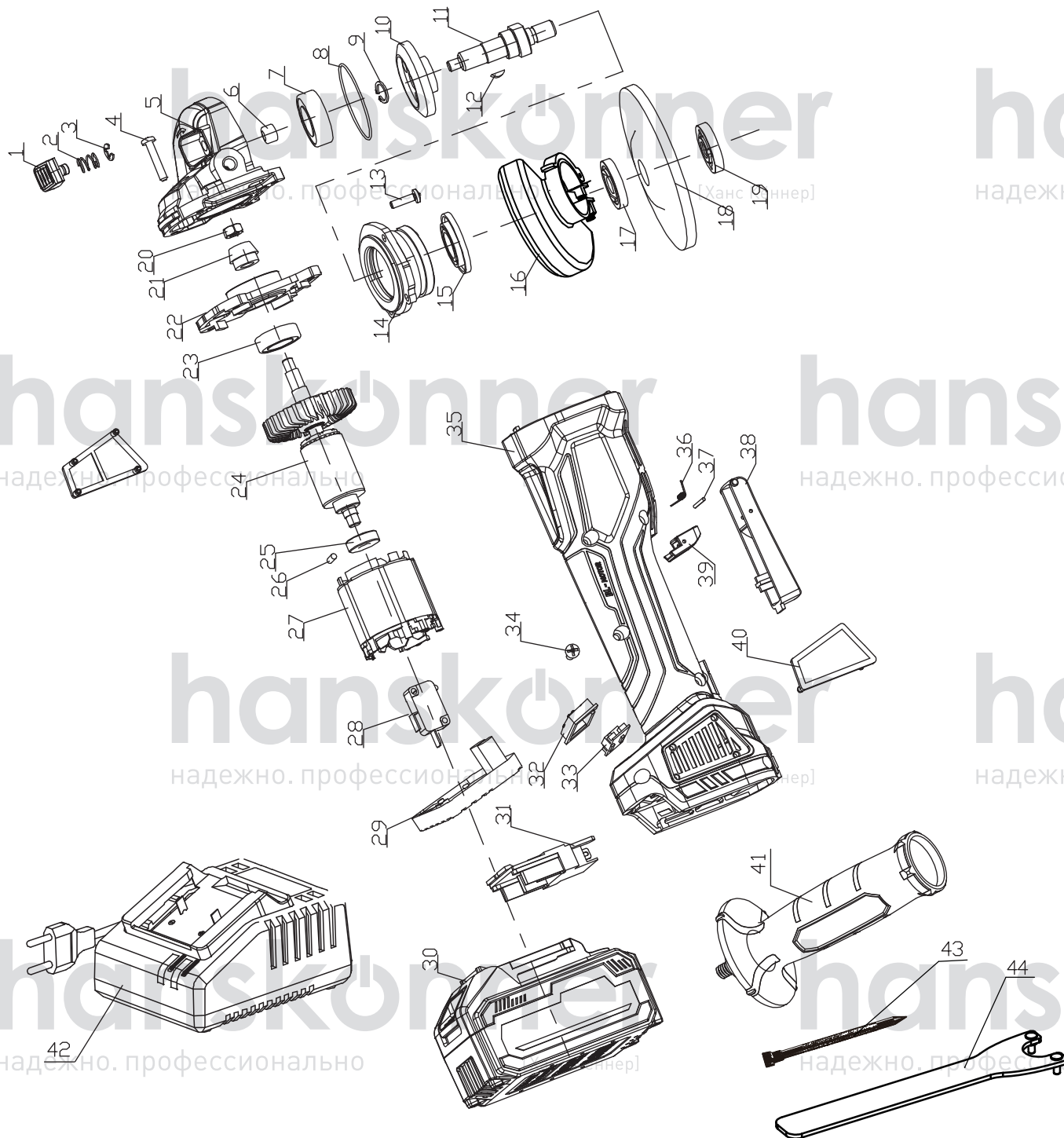


HAG1812E



| NO. | DESCRIPTION |
|-----|-----------------------|
| 1 | SPINDLE LOCK |
| 2 | SPINDLE LOCK SPRING |
| 3 | CIRCLIP 5MM |
| 4 | TAPPING SCREW ST4X20 |
| 5 | GEAR BOX |
| 6 | NEEDLE BEARING |
| 7 | BEARING 6201 |
| 8 | O RING |
| 9 | CIRCLIP 11MM |
| 10 | BIG GEAR |
| 11 | SPINDLE |
| 12 | KEY |
| 13 | SCREW M4X12 |
| 14 | FRONT COVER |
| 15 | ANTI-DUST COVER |
| 16 | GUARD |
| 17 | DOWN FLANGE |
| 18 | GRINDING DISC |
| 19 | UPPER FLANGE |
| 20 | NUT M8 |
| 21 | PINION |
| 22 | MIDDLE COVER |
| 23 | BEARING 629 |
| 24 | ROTOR |
| 25 | BEARING 607 |
| 26 | RUBBER PIN |
| 27 | STATOR |
| 28 | SWITCH |
| 29 | PCB |
| 30 | BATTERY PACK |
| 31 | CONNECTION FOOT |
| 32 | TRANSPARE COVER |
| 33 | DIGITAL DISPLAY PANEL |
| 34 | TAPPING SCREW ST4X16 |
| 35 | HOUSING |
| 36 | TWIST SPRING |
| 37 | PIN |
| 38 | SWITCH TRIGGER |
| 39 | ANTI-LOCKING BUTTON |
| 40 | ANTI-DUST NET |
| 41 | SIDE HANDLE |
| 42 | CHARGER |
| 43 | SCRIBER |
| 44 | SPANNER |